

PF70

# ondrives

Precision Gears

## Worm Gear Reducers

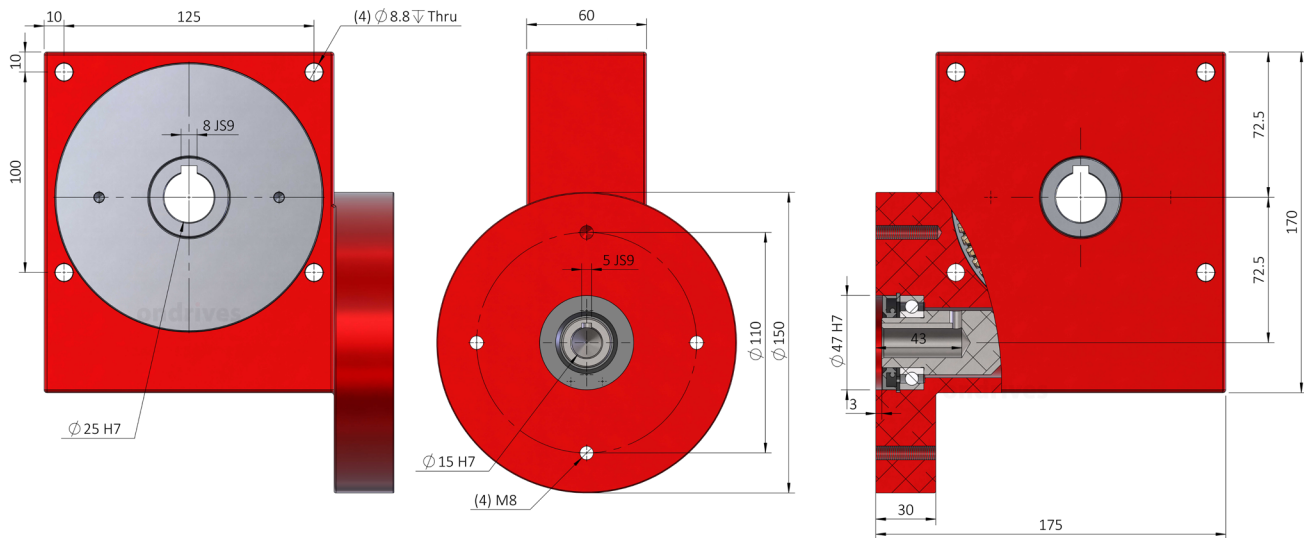
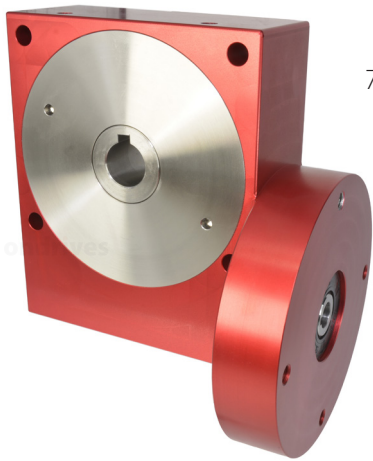
Flange Input • 15mm Input Bore • 25mm Output Bore  
72.5mm Centre Distance •  $T_{2max}$  90Nm – 164Nm • **10:1 - 120:1**

**Worm Gear Rotation Direction.**

**RH-Right Hand**

When input rotation is clockwise, output gear is pulled towards input.

When input is counter-clockwise, output gear is pushed away from input.



Output Backlash j	Part Numbers	Output Backlash j AR	Gear Ratio i	Efficiency $\eta z$	Lead Direction	Reflected Inertia at Input
$\leq 0.50^\circ$	Output Backlash j A	$\leq 0.066^\circ$		n1nom		kg·m <sup>2</sup>
PF70-10	PF70-10A	PF70-10AR	10:1	90%	Right Hand	$4.81 \times 10^{-5}$
PF70-12	PF70-12A	PF70-12AR	12:1	89%	Right Hand	$4.19 \times 10^{-5}$
PF70-15	PF70-15A	PF70-15AR	15:1	86%	Right Hand	$3.70 \times 10^{-5}$
PF70-20	PF70-20A	PF70-20AR	20:1	85%	Right Hand	$3.28 \times 10^{-5}$
PF70-30	PF70-30A	PF70-30AR	30:1	78%	Right Hand	$3.00 \times 10^{-5}$
PF70-60	PF70-60A	PF70-60AR	60:1	67%	Right Hand	$2.89 \times 10^{-5}$
PF70-120	PF70-120A	PF70-120AR	120:1	50%	Right Hand	$2.76 \times 10^{-5}$

**Weight:** 7.9 kg.

**Nom. Input Speed [S1 T<sub>2</sub>n] n1nom:** 1,000 min<sup>-1</sup> (r/min)

**Max. Input Speed n1max:** 3,000 min<sup>-1</sup> (r/min)

**Lubrication:** Grease Shell Gadus S5 V4P 2.5

**Lubrication Temperature:** Max. Operating  $\approx 60^\circ\text{C}$

**Max. Output Radial Load F<sub>r2</sub>:** 800N.

**Max. Output Axial Load F<sub>a2</sub>:** 600N.

Testing in your application is necessary.

You will need to assess duty cycles and confirm suitability with your own calculations.

Figures listed are for guidance only.

Cooling may be needed dependent on application.

**ondrives**  
Precision Gears

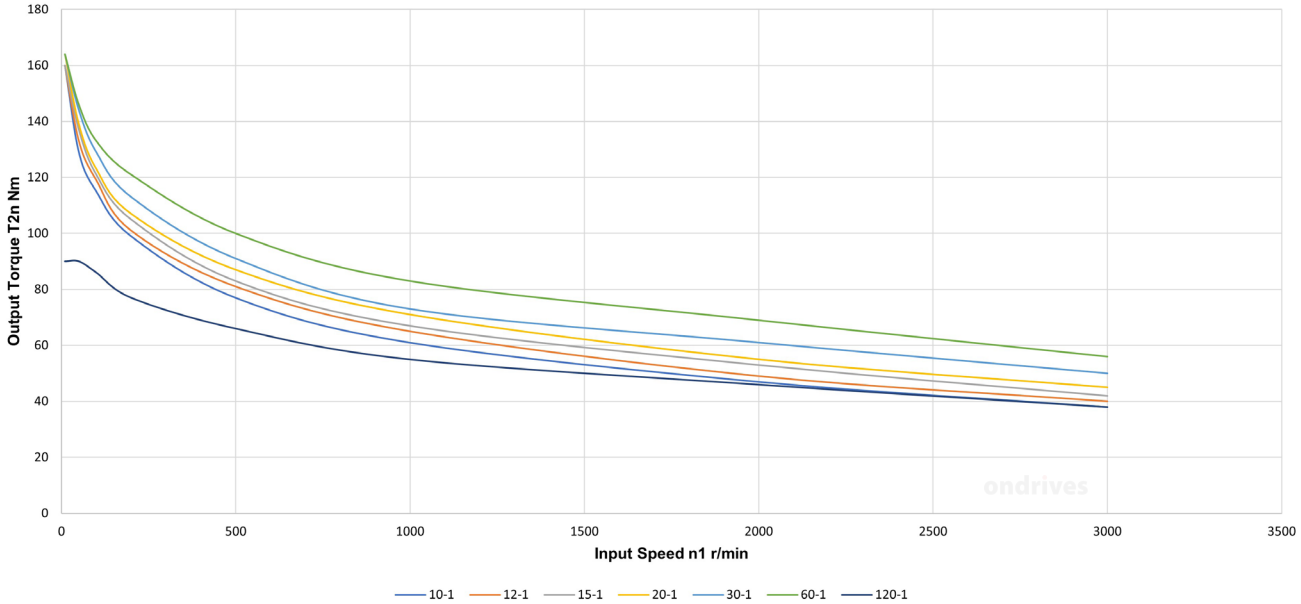
T: +44 1246 455500  
sales@ondrives.com www.ondrives.com  
Updated March 2024 subject to change for use as a guide only.

Worm Gear Reducers

### Worm Gear Reducers

Flange Input • 15mm Input Bore • 25mm Output Bore  
72.5mm Centre Distance •  $T_{2max}$  90Nm – 164Nm • **10:1 - 120:1**

P Series Wormwheel Gearboxes



Worm Gear Reducers